



**Model 5103**

- Recessed
- Hinged Hood (For Non-Hinged Hood see Models 510, 5102 and 5104)
- Non-Controlled Delivery
- Single Roll (For Dual Roll see Model 5123)

**Product Materials**

**HOUSING AND HOOD:** one-piece deep drawn bright polished stainless steel.

**BRACKETS:** chrome-plated zinc.

**SPINDLE:** chrome-plated plastic.

**Capacity**

One standard core toilet tissue roll through 5½" in diameter.

**Operation**

Concealed spring permits spindle to telescope for servicing. Spindle turns freely for non-controlled delivery. Hinged hood prevents unintentional unraveling while keeping top tissue surface clean. Hinged hood is not removable.

**Installation**

Verify all rough-in dimensions prior to installation. Requires rough wall opening 5"W x 4⅞"H x 1⅞"D. Secure to framing with appropriate anchoring devices at holes provided.

**Optional Features**

Feature	Suffix
<input type="checkbox"/> Anti-theft spindle	-52
<input type="checkbox"/> Back clamp for gypsum wallboard mounting	-55

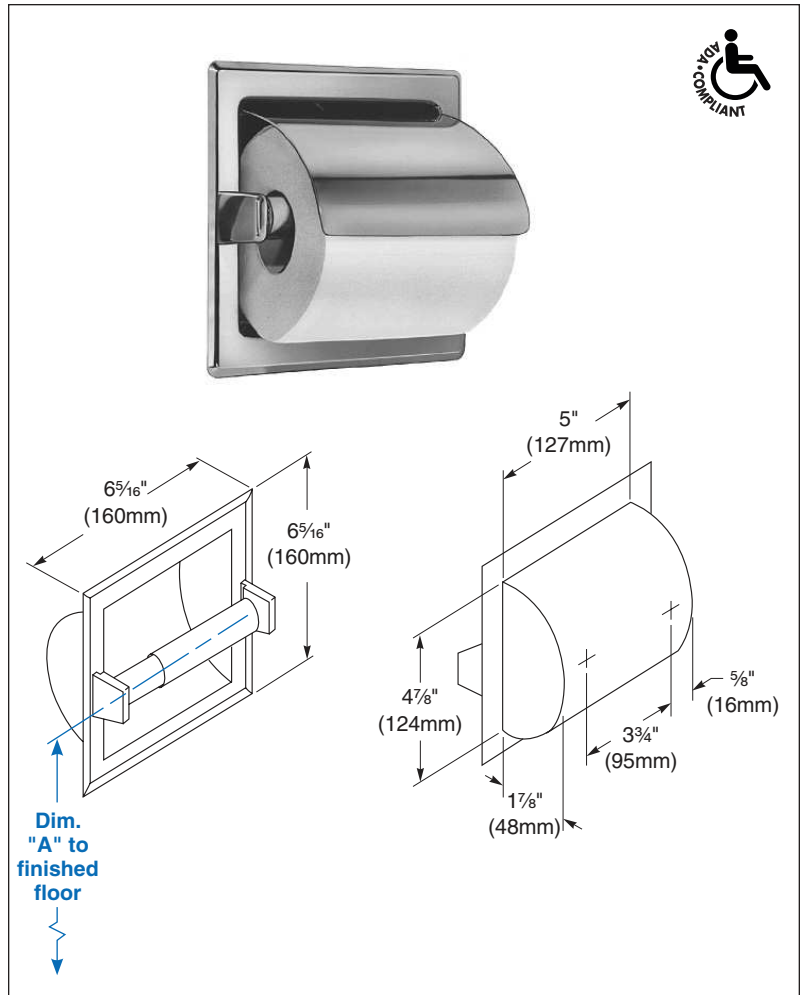
**Guide Specification**

Recessed single roll toilet tissue dispenser with hinged hood shall be bright polished stainless steel and chrome plated zinc and hold one standard core toilet tissue roll.

**Overall dimensions: 6⅝"W x 6⅝"H x 1⅞"D.**

**ADA Compliant**

- Consult local and national accessibility codes for proper installation guidelines.
- Conformity and compliance to local and national codes is the responsibility of the installer.



Dim. "A" Key Surface:	For Dim. "A"	Top of Rough Wall Opening	Bottom of Rough Wall Opening
Centerline of spindle to finished floor (bottom edge of paper roll 3" below centerline of spindle)	23" (584mm)	25¼" (641mm)	20⅝" (518mm)
	22" (559mm)	24¼" (616mm)	19⅞" (492mm)
	21" (533mm)	23¼" (591mm)	18⅞" (467mm)
	20" (508mm)	22¼" (565mm)	17⅞" (441mm)
	19" (483mm)	21¼" (540mm)	16⅞" (416mm)
	18" (457mm)	20¼" (514mm)	15⅞" (391mm)
<b>Rough wall opening:</b>			
Recessed:	5" (127mm) Wide x 4⅞" (124mm) High x 1⅞" (48mm) Deep		