

DWG NO.	432-0005-XX-19	SH 1	REV 110	1
REVISIONS				
ZONE	REV	DESCRIPTION	DATE	APPROVED
	100	RELEASE PER ECN 112254	12.3.2010	
	110	REVISE PER ECN 115204	8/31/2011	

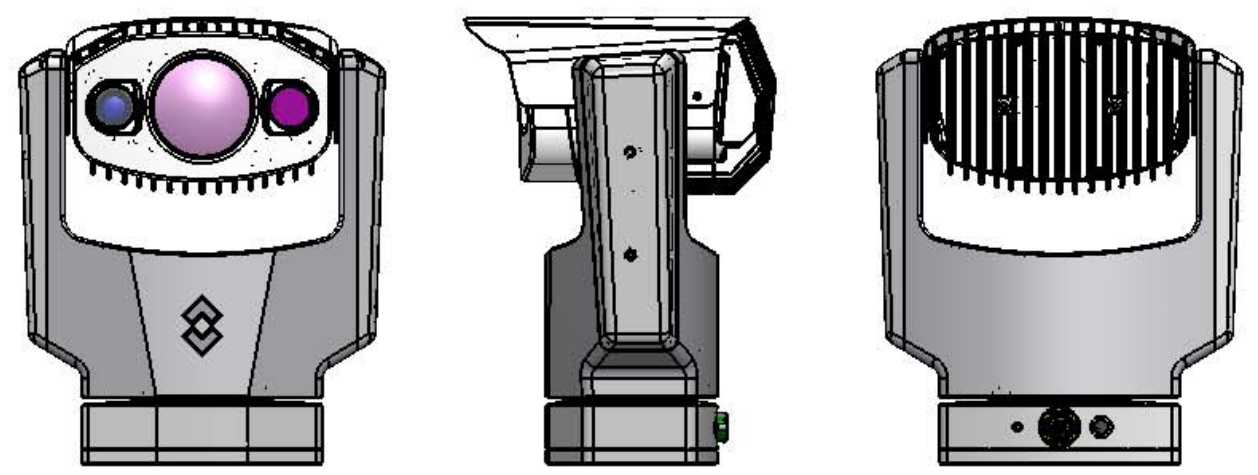
www.netzerotools.com

NOTES: UNLESS OTHERWISE SPECIFIED

① CAMERA SYSTEM SHALL BE IDENTIFIED BY SERIALIZATION LABEL. LABEL SHALL INCLUDE BUT IS NOT LIMITED TO P/N, SERIAL No., AND CAGE CODE AS SHOWN ON SHT 1. LABEL VIEW SHOWN IS FOR REFERENCE ONLY.

② SEE "TABLE 1" ON SHT 1 FOR AVAILABLE VOYAGER III CABLE LENGTHS AND CORRESPONDING PART NUMBERS.

VOYAGER III CAMERA SYSTEM



JOYSTICK CONTROL UNIT (JCU)



MULTI-FUNCTION DISPLAY (CUSTOMER PROVIDED)



MULTIPLE JOYSTICK CONTROL UNITS MAY BE CONNECTED TO AN ETHERNET NETWORK AND USED TO CONTROL THE CAMERA SYSTEM.

ONLY ONE JCU MAY BE USED TO CONTROL THE CAMERA SYSTEM AT ANY GIVEN TIME.

MULTIPLE MULTI-FUNCTION DISPLAYS MAY BE USED IN CONJUNCTION WITH CAMERA SYSTEM.

DISPLAY CONNECTION REQUIREMENTS SHALL BE PER MFG RECOMMENDATION

[Flir Voyager III Thermal Imaging Night Vision Infrared Camera Maritime](http://www.netzerotools.com)

VOYAGER III CABLE P/N 308-0201-XXX

TABLE 1	
308-0201-50	50 FT ± 6 IN
308-0201-100	100 FT ± 6 IN
308-0201-150	150 FT ± 6 IN
308-0201-200	200 FT ± 6 IN
308-0201-225	225 FT ± 6 IN

BULKHEAD BOX



ETHERNET CONNECTION (POE FROM BULKHEAD BOX)

SHIP POWER

ACCY CONNECTION

NMEA CONNECTION

6X VIDEO OUTPUT

Voyager III **FLIR**[®]

432-0005-XX-00X

SN: XXXX

Cage Code: 064Y2

Made in USA

① CAMERA SYSTEM LABEL. VIEW FOR REFERENCE

NetZeroTools
800-577-6389
www.netzerotools.com

THIRD ANGLE PROJECTION	THIS DOCUMENT IS CONTROLLED TO FLIR TECHNOLOGY LEVEL 1.			
	THE INFORMATION CONTAINED IN THIS DOCUMENT PERTAINS TO A DUAL USE PRODUCT CONTROLLED FOR EXPORT BY THE EXPORT ADMINISTRATION REGULATIONS (EAR). FLIR TRADE SECRETS CONTAINED HEREIN ARE SUBJECT TO DISCLOSURE RESTRICTIONS AS A MATTER OF LAW. DIVERSION CONTRARY TO US LAW IS PROHIBITED. US DEPARTMENT OF COMMERCE AUTHORIZATION IS NOT REQUIRED PRIOR TO EXPORT OR TRANSFER TO FOREIGN PERSONS OR PARTIES UNLESS OTHERWISE PROHIBITED.			
METRIC	MATERIAL	PROJECT NO.	FLIR Systems, Inc. 70 Castilian Drive Goleta, CA 93117	
INTERPRET DRAWING PER ASME Y14.5M-1994	FINISH	APPROVALS	DATE	TITLE
UNLESS OTHERWISE SPECIFIED SURFACE ROUGHNESS 0.80um X = ±1 XX = ±.5 ANGULAR = ±.5° FILLET RADIUS = .13 MAX	UNLESS OTHERWISE SPECIFIED ALL MEASUREMENTS ARE IN MM. ALL DIMENSIONS IN () ARE INCHES. DO NOT SCALE DRAWING.	DWN S. CHAPPL	1.30.2010	ICD - VOYAGER III CAMERA SYSTEM
	CALC WT:	CHK		SIZE D CAGE 064Y2 DWG NO. 432-0005-XX-19 REV 110
		DSGN		SCALE 1:4 PRINTED: 9/6/2011 SHEET 1 OF 2
		ENG		SOLIDWORKS MODEL: 432-0005-XX-00 VOYAGER III CAMERA ASSEMBLY MODEL REVISION: 100-WC

www.netzerotools.com

8

7

6

5

4

3

DWG NO. 432-0005-XX-19

SH 2

REV 110

1

www.netzerotools.com

D

C

B

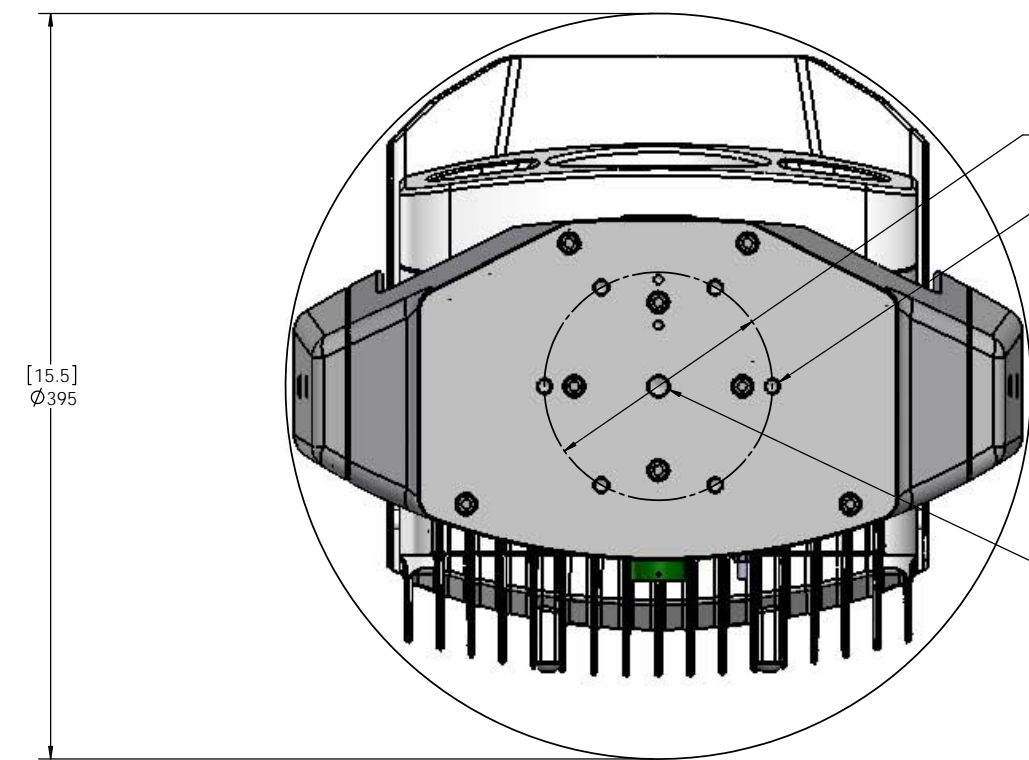
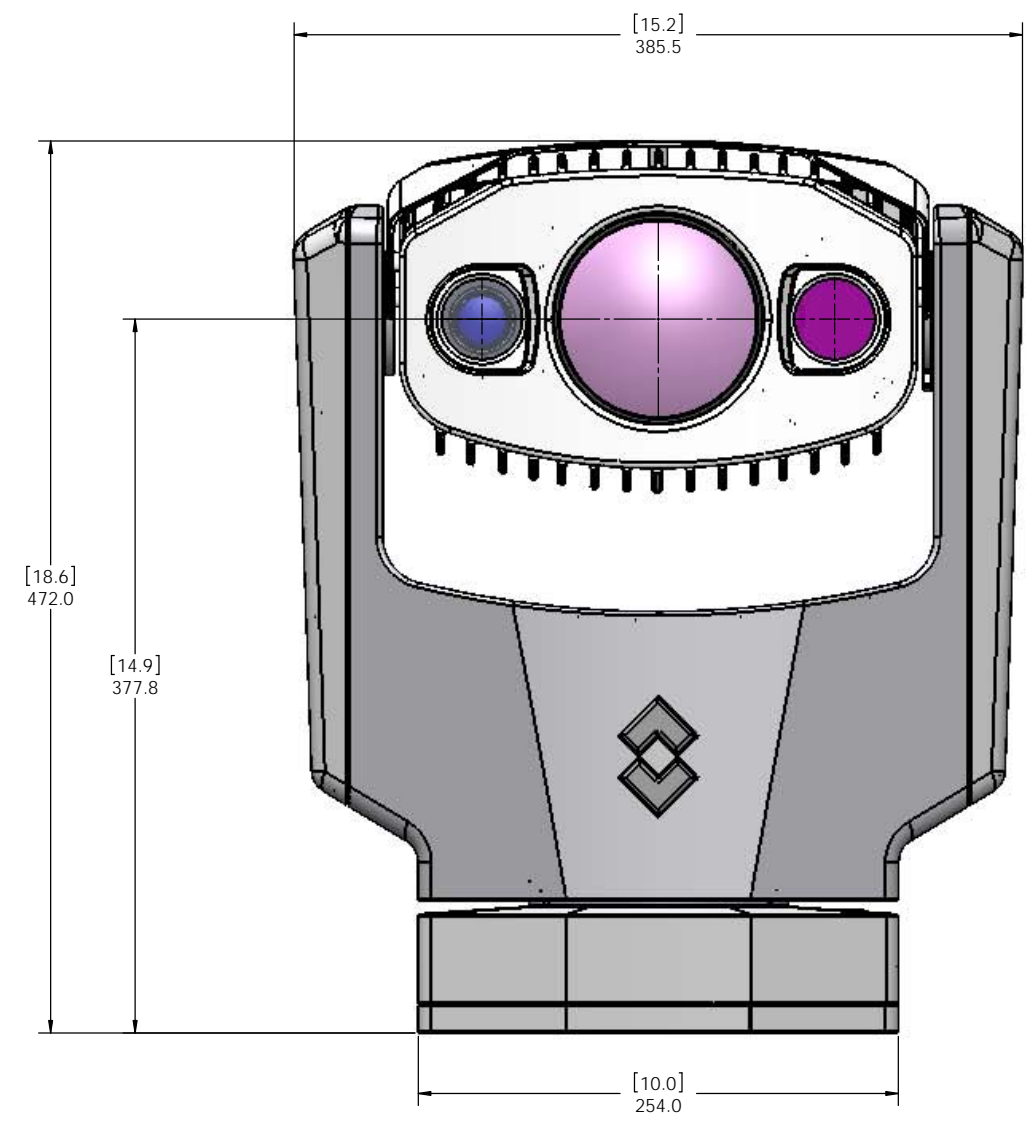
A

D

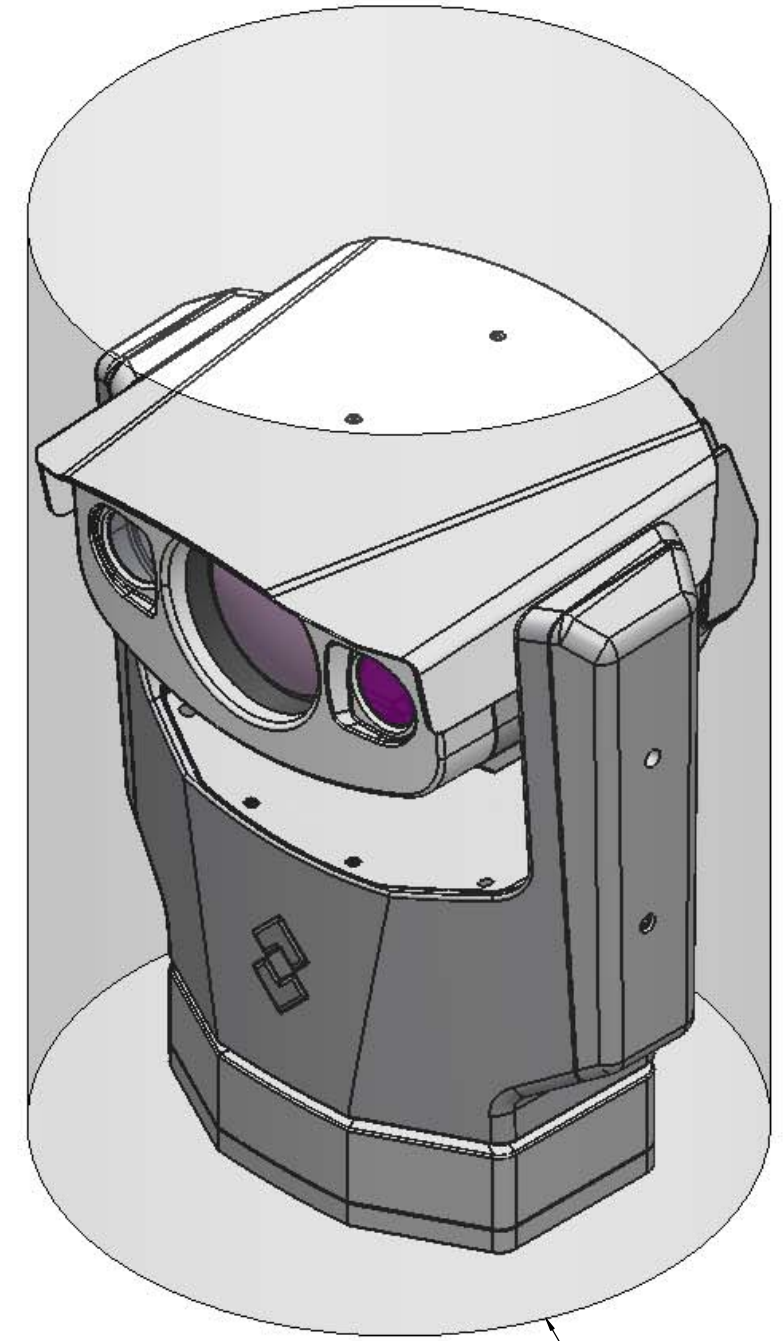
C

B

A



- [4.75] Ø120.65 BOLT CIRCLE
- 6X 1/4 - 20 HELICAL COIL INSERT EQ. SP. ON NOTED BOLT CIRCLE
- 3/8 - 16 UNC HELICAL COIL INSERT



MINIMUM KEEP OUT VOLUME
CYLINDER: Ø395 [15.5] X 585 [23.0]

**ICD - VOYAGER III
CAMERA SYSTEM**

www.netzerotools.com

SIZE D	CAGE 064Y2	DWG NO. 432-0005-XX-19	REV 110
SCALE 1:2	PRINTED: 9/6/2011	SHEET 2 OF 2	

SOLIDWORKS MODEL: 432-0005-XX-00 VOYAGER III CAMERA ASSEMBLY
MODEL REVISION: 100-WC

8

7

6

5

4

3

2

1

DWG NO. 432-0005-XX-19
 SH 2
 REV 110